



AECOM
100 S. Wacker Drive, Suite 500
Chicago, Illinois 60606

312-939-1000 tel
312-939-4198 fax

April 19, 2016

Mr. Kevin Wilhelm
Melcomm Inc.
7801 Industrial Drive
Spring Grove, IL 60081

RE: Gamma Survey for Conduit Install/Repair
Permit No.: DOT599009
Permit Address: 350-400 E North Water St, Chicago, Illinois
AECOM Project No. 60491145

Dear Mr. Wilhelm:

Pursuant to conditions specified in a permit (see attached) issued by the City of Chicago, radiation monitoring was required to be performed at the above referenced site. AECOM Technical Services, Inc. (AECOM) provided the required radiation surveillance on March 16, 2016 for a trench excavation for the installation of a conduit service line to an existing building.

Surveying was performed on the soil removed at 380 E. North Water Street (see sketch) required to install a new conduit service line. The excavation was comprised of an approximately 13x5 foot trench with an adjacent 14x1 foot trench that expanded to 3 feet wide where the excavation was against the building. Both trenches were to a depth of 30 inches below ground surface (bgs).

The monitoring did not indicate that the fill soils were above the removal action level established by the U.S. Environmental Protection Agency (USEPA) for the Streeterville area of Chicago. The USEPA removal action level for Chicago's Streeterville area is 7.1 picocuries per gram (pCi/g) total radium (Ra-226 + Ra-228). Gamma radiation count measurements for the project were recorded using Ludlum Models 2221 survey meter and an unshielded 2 x 2 inch NaI probe (Model 44-10). For the instrument used, the gamma count threshold indicative of the 7.1 pCi/g cleanup value is 17,025 (S/N: 172039) counts per minute (cpm) unshielded.

The field gamma measurements within the excavation during the excavation process did not exceed the instrument threshold previously stated and ranged from a minimum of 6,800 cpm to a maximum of 12,100 cpm unshielded. The field instrument background gamma readings for fill soil in the vicinity of the excavation area were approximately 8,200 cpm. The general subsurface stratigraphy was composed of urban fill (containing fill soil with ash, cinders, brick debris, etc.) in excavations 1 and 2, and topsoil in excavation 3 (see sketch). Based on field readings there was no indication of the presence of radiologically-contaminated fill and/or an exceedance of the USEPA removal action level of 7.1 pCi/g total radium. A copy of the permit and a field sketch documenting the area where the work was performed are included as attachments.

As part of the permit conditions, this letter has been forwarded to:

Chicago Department of Public Health
Attention: Ms. Rahmat Begum
333 South State Street, Room 200
Chicago, Illinois 60604

Permit No.: DOT599009
Permit Address: 350-400 E. North Water Street
Page 2

Please contact us with any questions you have regarding this letter or the reported results.

Regards,



Andrew Kozak
Environmental Engineer



Steven C. Kornder, Ph.D.
Senior Project Geoscientist

cc: Rahmat Begum, Chicago Department of Public Health
Verneta Simon, USEPA

Attachments: Permit
Sketch

PERMIT

Permit # DOT599009

**DOT Public Way Opening
Opening in the Public Way**



City of Chicago
Department of Transportation
(312) 744-4652

Received Date: March 4, 2016 9:44 am

16-0143_Comcast 110 W Madison

ISSUED

COMCAST OF CHICAGO INC
1255 WEST NORTH AVENUE
CHICAGO, IL 60622

KEVIN WILHELM (312)656-9073

PERMIT DATES

March 03, 2016 through March 18, 2016

PERMIT DETAILS

Public Way Opening for the purpose: Conduit Install Repair

Excavation may commence on March 03, 2016 - NO SOONER

350 - 400 E NORTH WATER ST - Number of Openings: 1

Sidewalk and Parkway

20 Ft (L) x 4 Ft (W) x 6 Ft (D)

Subcontractors:

HBK Engineering (Permits)
921 W. VANBUREN STREET
CHICAGO, IL 60607
(312)432-0076

MELCOMM INC.
7801 INDUSTRIAL DRIVE STE E
SPRING GROVE, IL 60081
(312)656-9073

Restrictions:

1. If Arterial Street Outside CBD, Then Start no earlier then 9:00 A.M. and end no later then 4:00 P.M.
2. Contractor must notify DIGGER at 312-744-7000 no less then 48 hours (exclusive of Saturdays, Sundays and Holidays) but no more then 14 calendar days in advance of the start of the excavation or demolition, unless the excavation date was provided with the application and remains unchanged. Prior to 26 calendar days the Contractor must notify DIGGER to renewal the dig date! It is the Excavator's responsibility to request refreshing of marks when needed, but no longer than 28 calendar days after the last requested date. When applicable, all excavation areas are to be clearly marked in safety white paint prior to calling DIGGER. White paint is not required for joint meets or emergency work. Excavators requesting dig tickets are responsible for the protection of utility markings at the job site. Any markings of underground utilities utilizing utility colors must be done by facility owners or authorized agents only.
3. A copy of the permit must remain on-site for inspector's review.
4. If Non-Arterial Street Outside CBD, Then Start no earlier then 7:00 A.M. and end no later then 3:00 P.M.
5. Permittee must provide a sign which identifies the telephone number and company or person performing the work. Signage may be affixed to barricades.
6. Contractor must secure plating over all openings in the roadway and secure all sidewalk/parkway openings during non-working hours until such time when the road surface is restored.
7. No work in or use of the public right of way is to be done when a special event is taking place. It is up to the applicant to determine if an event is scheduled. To obtain a listing of programs or events within the City of Chicago please dial 311 when you are within the City boundaries.

Fees:

03/08/2016 DOT_PWO - Sidewalk/Parkway Opening Fee

CAPS:	AH23
Amount: \$	954.00

Total Fees: \$954.00

EFFECTIVE DATES OF PERMIT

Current: March 03, 2016 through March 18, 2016 (Input date: March 4, 2016 9:44 am)

END OF PERMIT



DEPARTMENT OF PUBLIC HEALTH
CITY OF CHICAGO

(STREETERVILLE Right-of-Way)

Notice is hereby given that the site you have requested a permit for is recorded with the City of Chicago Department of Public Health (CDPH) as potentially having environmental contamination on the site and adjacent right-of way. This environmental contamination could present a threat to human health and safety in connection with work performed at the site, or in the adjacent right-of-way, if proper safeguards are not employed.

A file containing detailed information regarding the aforementioned environmental contamination is available for review at CDPH at 333 S. State St., Room 200, Chicago, Illinois 60604 during normal business hours (8:30AM-4:30PM, Monday through Friday). Contact (312) 745-3152 for an appointment. This file must be reviewed and the remainder of this form completed before the permit can be issued if the ground is exposed or excavated. Please note that for some locations, additional health and safety procedures may be required by law.

Please complete the following:

I have reviewed and understand the documents, maintained by CDPH, regarding environmental contamination of the site and adjacent right-of-way. Further, I will ensure that all work at the subject site and adjacent right-of-way, and any monitoring required including but not limited to radiation monitoring, will be performed in a manner that is protective of human health and the environment and in compliance with all applicable local, state, and federal laws, rules, and regulations, especially those pertaining to worker safety and waste management. I will ensure that the results of any radiation monitoring and/or surveying conducted shall be provided to the CDPH and the United States Environmental Protection Agency within two (2) weeks of their completion. If any elevated levels of radioactive material are detected, I will immediately contact the United States Environmental Protection Agency at (800) 424-8802.

Applicant Name (print): _____ Signature: _____

Site Address and Work Location (Describe exact site location and attach map): 350-400 E. NORTHWATER ST.,
EXCAVATING IN SIDEWALK ON NORTHSIDE OF E. NORTHWATER ST. BETWEEN N. MCCLURG ST. AND N. NEW ST.

Nature of Work: REPAIRING DAMAGED FIBER OPTIC CONDUIT

Company Name, Address, Phone No.: COMCAST, 688 INDUSTRIAL DR., ELMHURST IL 60126 (866)-594-1234

General / Prime Contractor Name, Address, Phone No.: MELCOMM TELECOMMUNICATION CONSTRUCTION 7801 INDUSTRIAL DR.,
UMTE, SPRING GROVE, IL 60081 (815)-581-3012
Include subcontractor information if applicable)

Safety Officer / Phone No. _____

Radiation Contractor / Phone No. and email address (if applicable) AECOM STEVE KORNER 262-515-7700

Check if City Department Work Department Name: _____

CDOT Permit No.: _____

Today's Date: 3/7/16 Expected Start Date: 3/9/16 CDPH Approval / Date _____

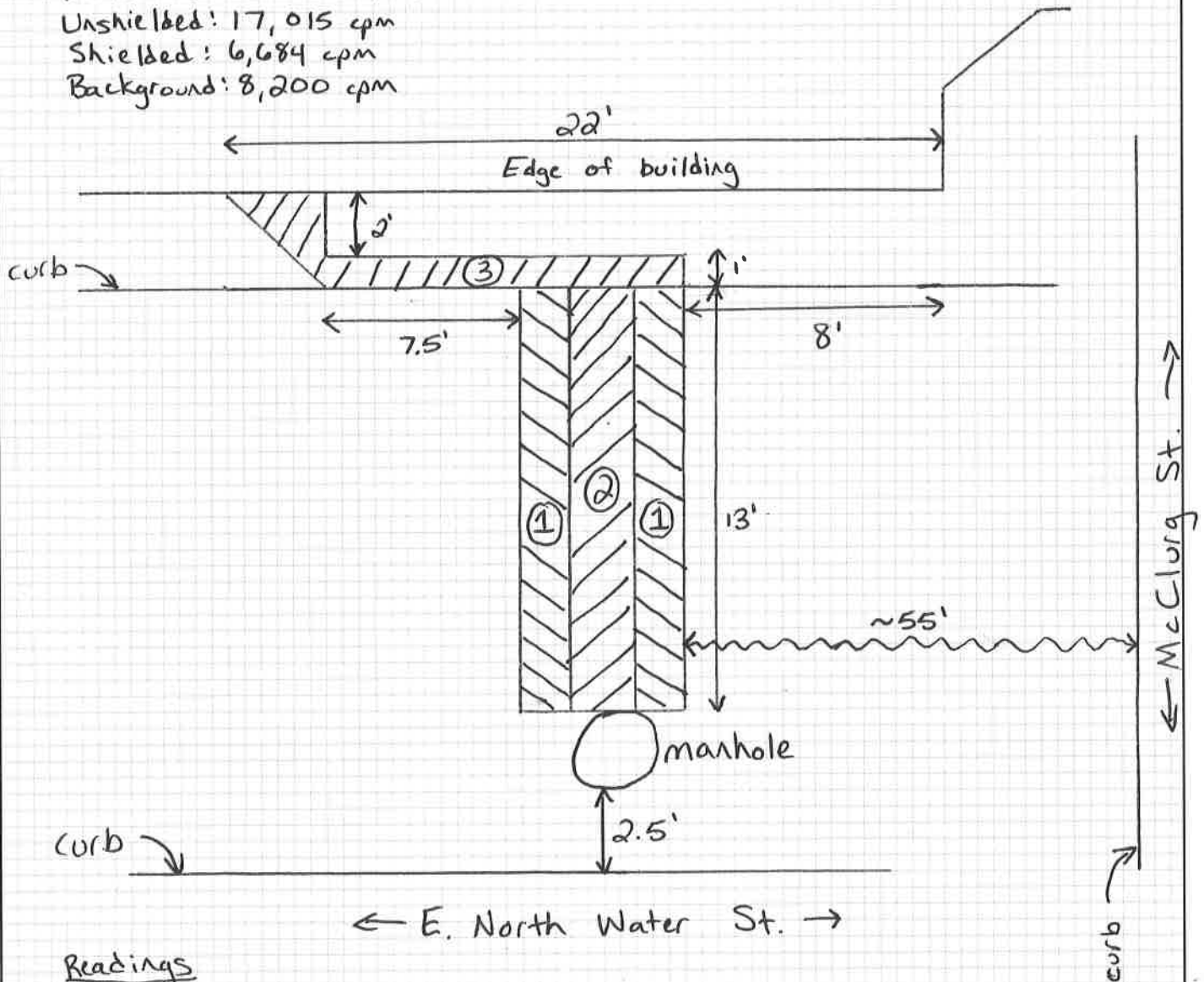
Please return this completed form to the Chicago Department of Transportation, Division of Infrastructure Management, Public Way Permit Office, City Hall – Room 905, 121 N. LaSalle St., Chicago, Illinois 60602 during normal business hours (8:30 AM - 4:30 PM, Monday through Friday)

For CDPH Use Only

SKETCH

Survey Equipment

Ludlum 2221 S/N: 172039
 Probe 2x2 NaI S/N: 174496
 Unshielded: 17,015 cpm
 Shielded: 6,684 cpm
 Background: 8,200 cpm



Readings

Depth	CPM
① Surface (beneath concrete)	6,800 - 7,400
② Surface (beneath concrete)	6,800 - 7,400
12" - 30" (spoil)	6,900 - 7,600; 8,300 max
③ Surface	8,200 - 9,400
12" - 30" (spoil)	9,800 - 12,100