

PART III - LIST OF DOCUMENTS, EXHIBITS, AND OTHER ATTACHMENTS

009-024-05

000252

252

272848



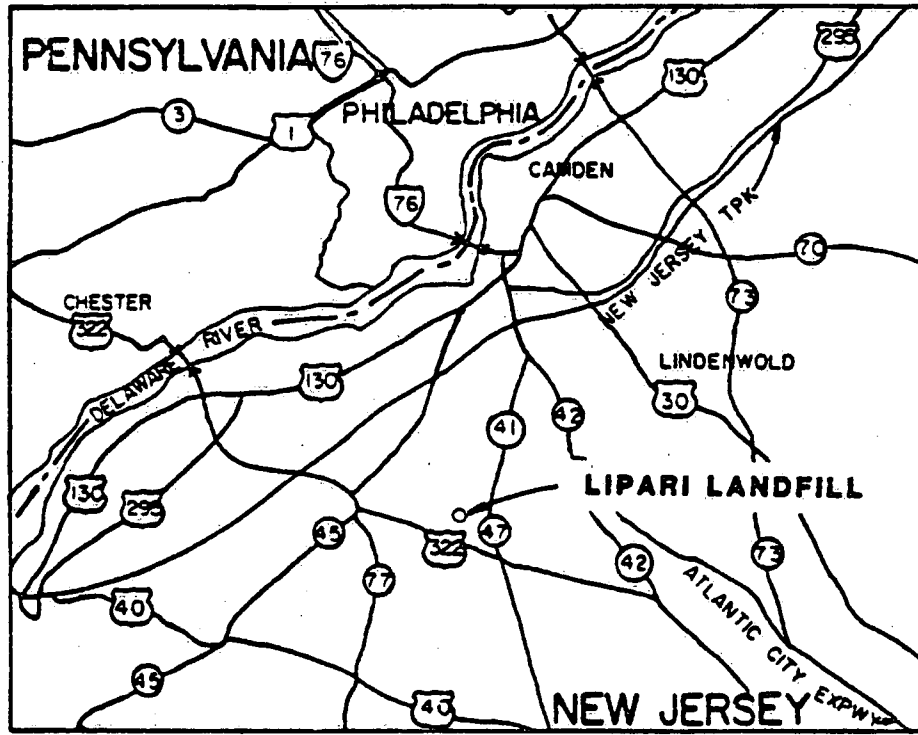
PART III - LIST OF DOCUMENTS, EXHIBITS
AND OTHER ATTACHMENTS

INDEX

ATTACHMENT	TITLE
A.	DRAWINGS
B.	DAILY CONSTRUCTION QUALITY CONTROL REPORT
C.	SUBMITTAL CONTROL FORM (ENG FORM 4288)
D.	BORING LOGS
E.	REGIONS FOR THE CONSTRUCTION EQUIPMENT OWNERSHIP AND OPERATING EXPENSE SCHEDULE
F.	WAGE RATES

INDEX

000253



0 5 10
SCALE IN MILES

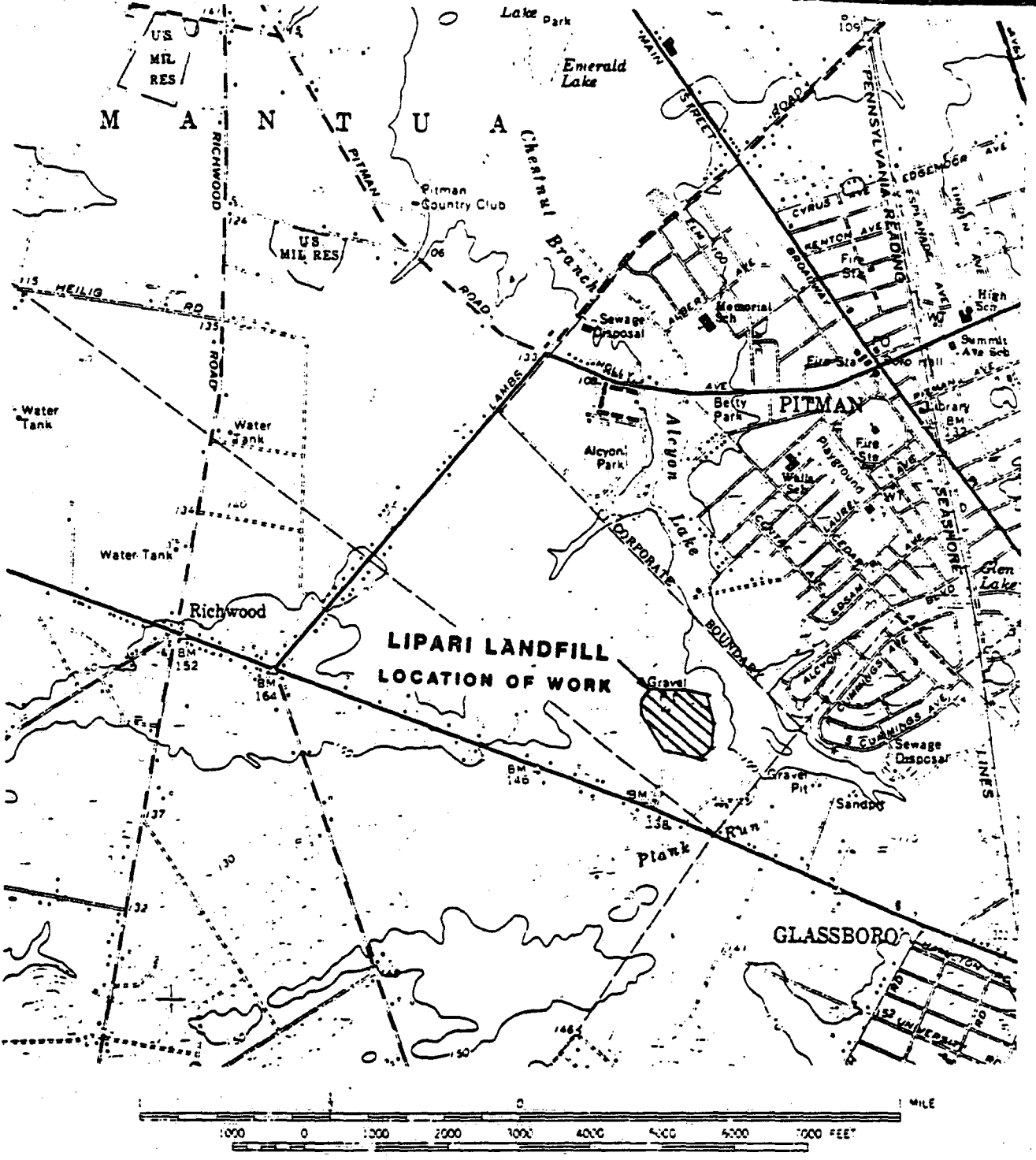
VICINITY MAP

FENCE INSALLATION
LIPARI LANDFILL SITE

000254

DRAWING NO.

254



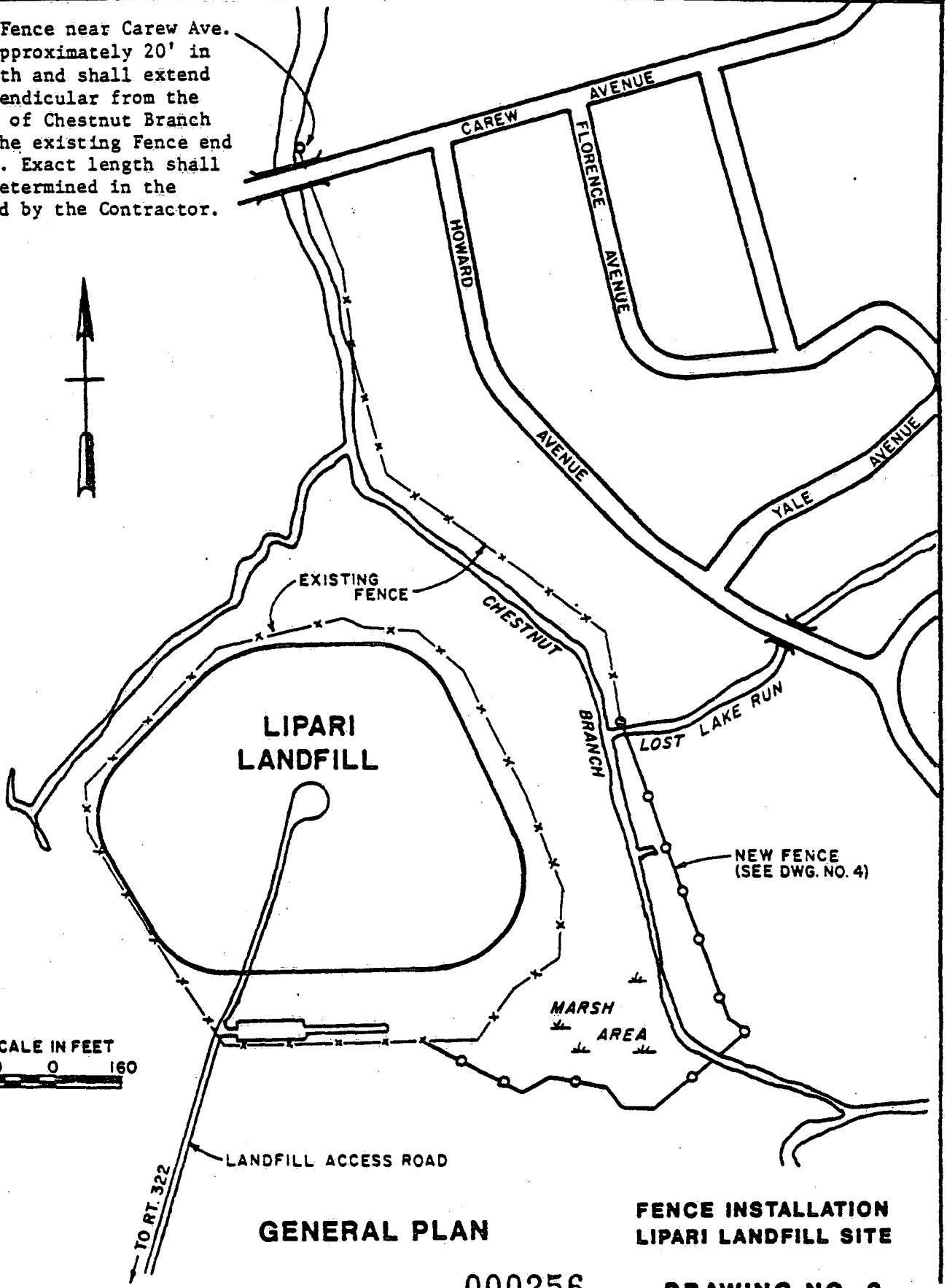
LOCATION MAP

000255

FENCE INSTALLATION
LIPARI LANDFILL SITE

DRAWING NO. 2

New Fence near Carew Ave.
approximately 20' in
length and shall extend
perpendicular from the
edge of Chestnut Branch
to the existing Fence end
post. Exact length shall
be determined in the
field by the Contractor.



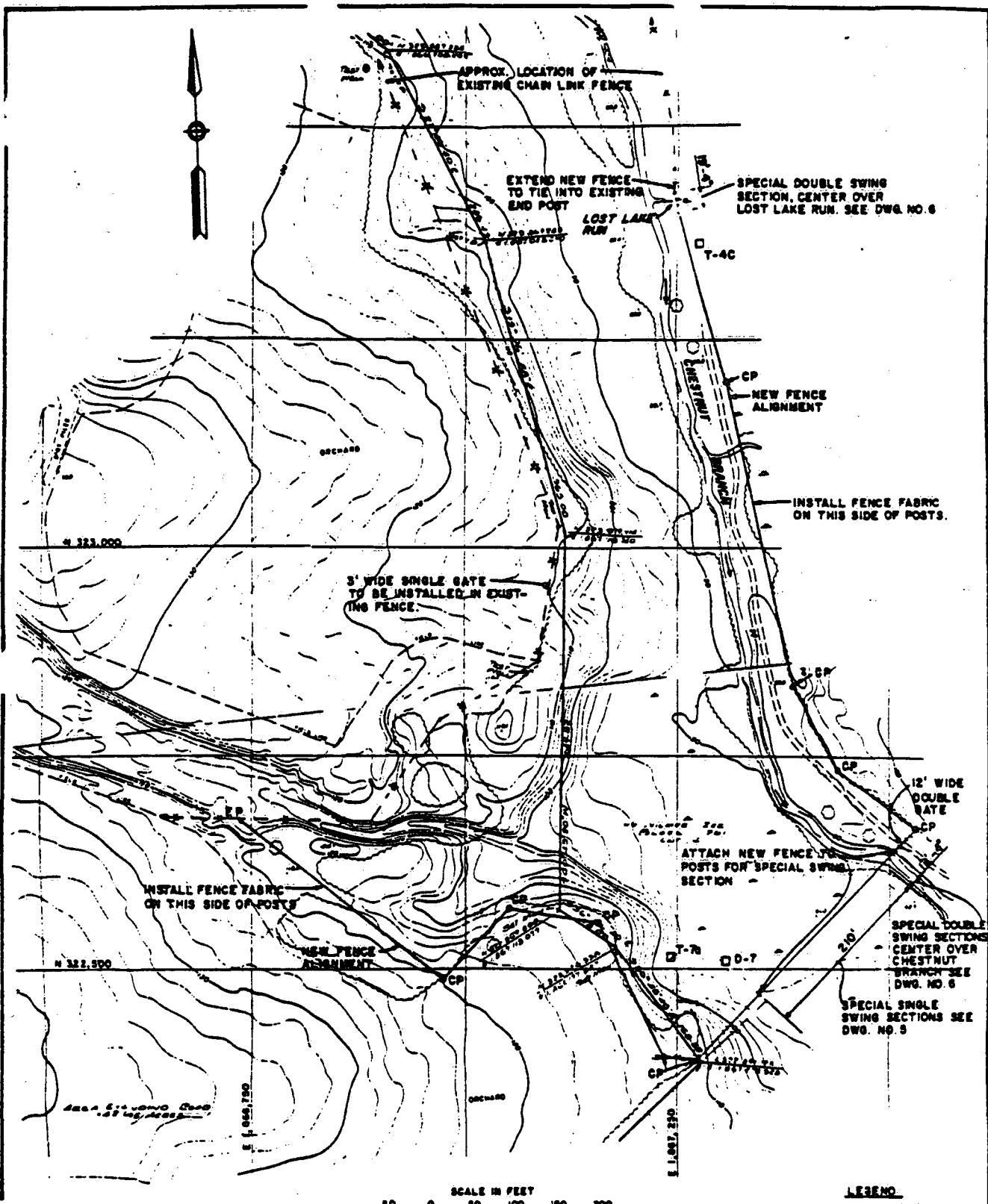
SCALE IN FEET
160 0 160

GENERAL PLAN

FENCE INSTALLATION
LIPARI LANDFILL SITE

000256

DRAWING NO. 3



NOTES:

1. LIMIT OF CONTRACTOR WORK AREA SHALL EXTEND 20' ON EACH SIDE OF NEW AND EXISTING FENCE ALIGNMENTS UNLESS OTHERWISE DIRECTED BY CONTRACTING OFFICER.
2. DATE OF PHOTOGRAPHY 2/1/80, CONTOUR INTERVAL - 2 FT.
3. 250 FOOT GRID BASED ON THE NEW JERSEY STATE PLANE COORDINATE SYSTEM.
4. VERTICAL DATUM IS NATIONAL GEODETIC VERTICAL DATUM OF 1989.

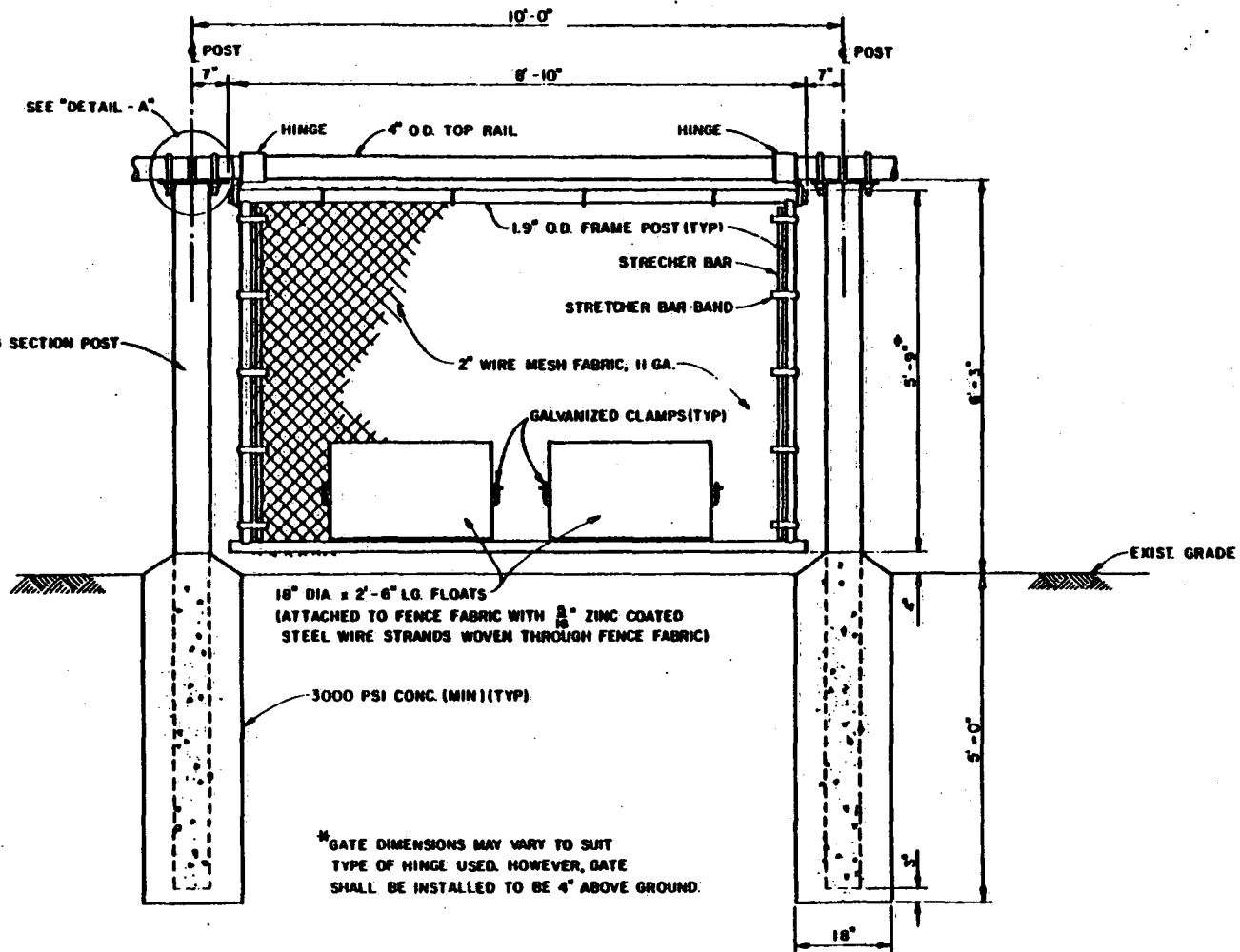
SITE PLAN

000257

LEGEND

○ CP	CORNER POST
● EP	END POST
- - -	EXISTING FENCE
—	NEW FENCE
□ D-7	BOMB LOCATIONS

**FENCE INSTALLATION
LIPARI LANDFILL SI'
DRAWING NC**

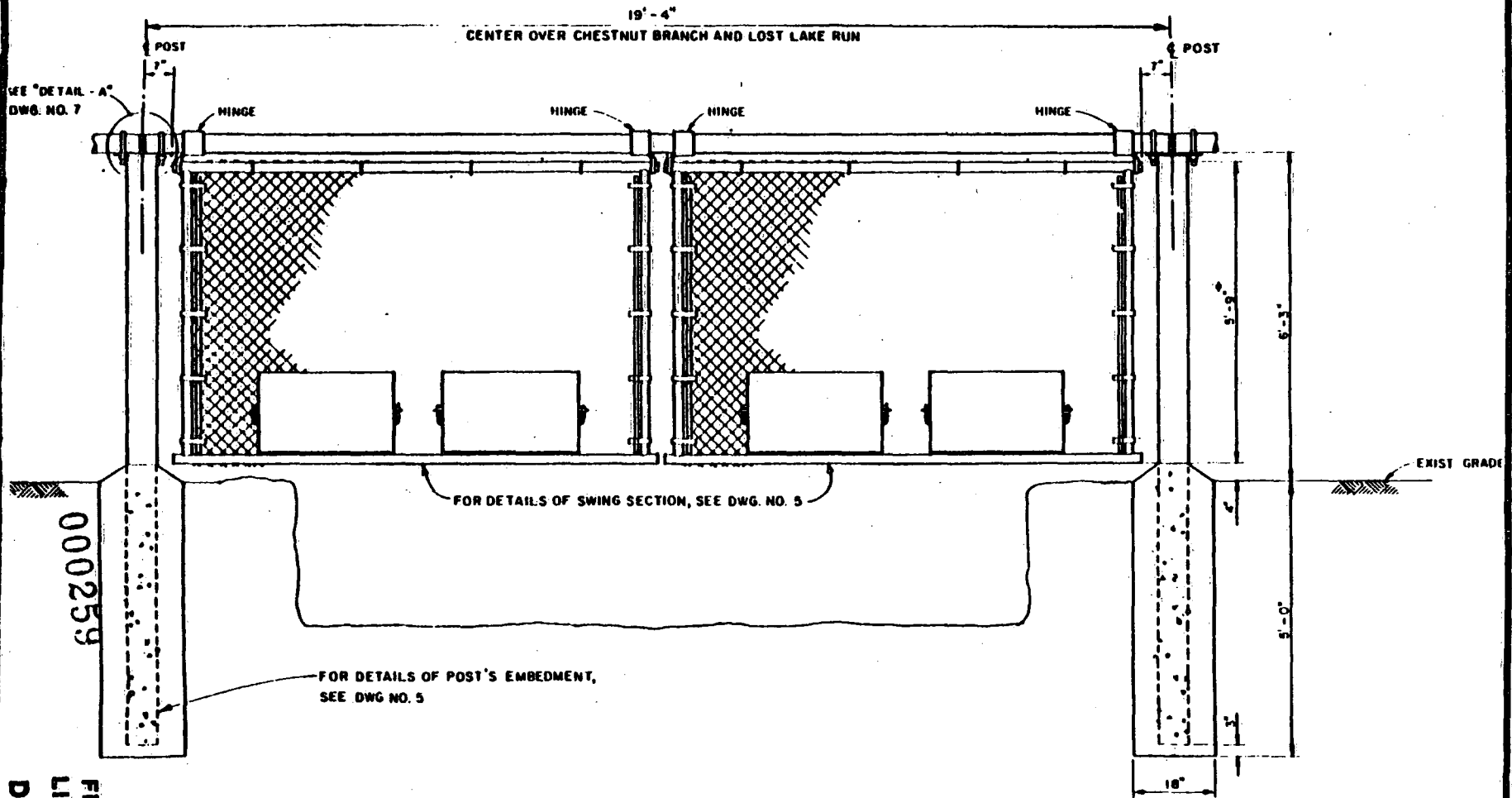


DETAIL
SPECIAL SINGLE SWING SECTION
 (LOOKING DOWNSTREAM)

000258

FENCE INSTALLATION
 LIPARI LANDFILL SITE

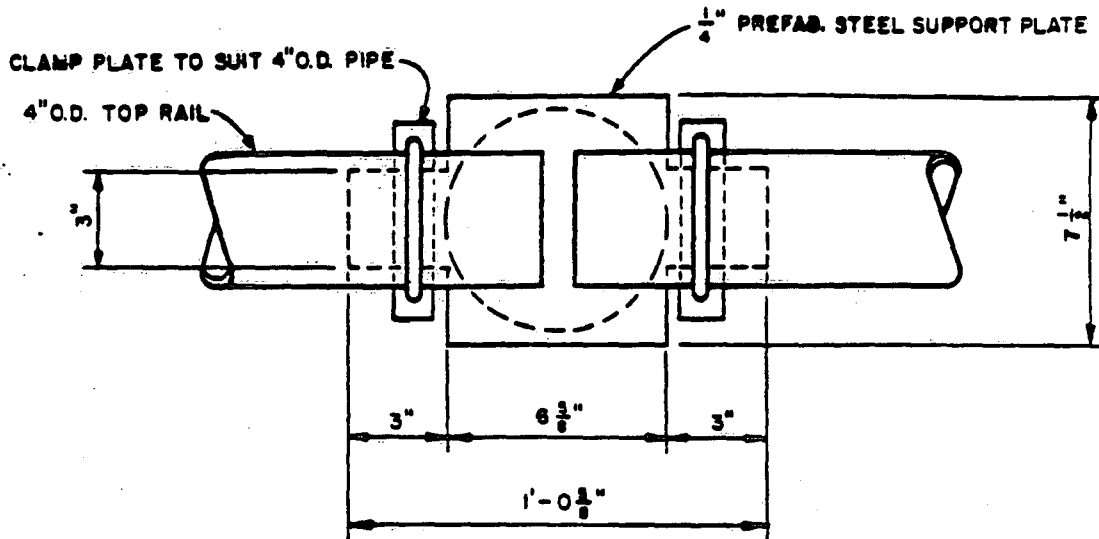
DRAWING NO. 5



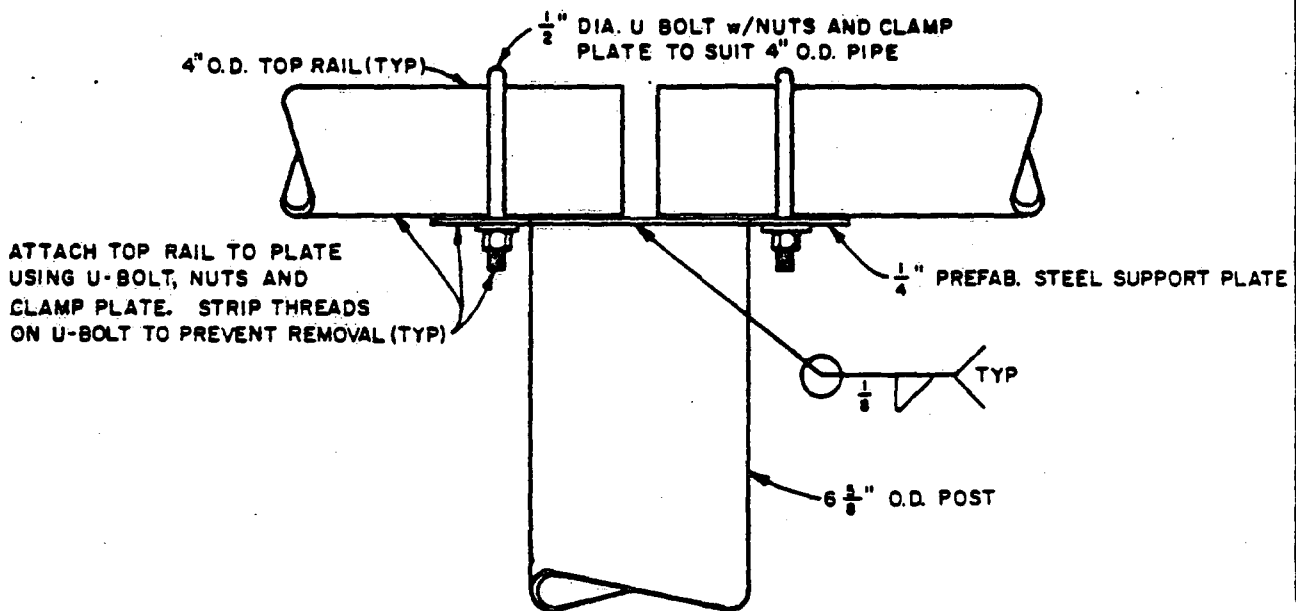
DETAIL

SPECIAL DOUBLE SWING SECTION
 LOOKING DOWNSTREAM ON CHESTNUT BRANCH
 LOOKING UPSTREAM ON LOST LAKE RUN

FENCE INSTALLATION
 LIPARI LANDFILL SITE
 DRAWING N° 259



PLAN



ELEVATION

DETAIL "A"
N.T.S.

FENCE INSTALLATION
LIPARI LANDFILL SITE

DRAWING NO. 7

000260

(Sample of typical Contractor Quality Control Report)

CONTRACTOR'S NAME
(address)

DAILY CONSTRUCTION QUALITY CONTROL REPORT

Contract No. _____ Date _____

Project Name _____ Report No. _____

Weather _____

Phases of Construction in Progress (Give briefly only phase or phases of work in progress)

Material and/or Equipment Delivered to Site (Including equipment demob)

Inspection Made (Include negative inspections, phase of in-progress construction work inspected and all deficiencies noted during inspections)

Preparatory

Initial

Follow-Up

000261

Tests Performed and Results of Tests (including results of tests taken on previous dates)

Verbal Instructions Received (List any instructions given by Contracting Officer personnel on construction deficiencies, retesting required etc., with action to be taken)

Changed Conditions/Delays/Conflicts Encountered

Remarks

SIGNATURE _____

Quality Control Inspector

Contractor's Verification: The above report is complete and correct and all material and equipment used and work performed during this reporting period are in compliance with the contract plans and specifications except as noted above.

Contractor's Approved Authorized Representative

000262

SHOP DRAWINGS AND MATERIALS SUBMITTAL CONTROL FORM (ER 415-1-10)					TITLE AND LOCATION: ce Installation - Lipari L CONTRACTOR
SUBMITTAL IDENT. NUMBER	SHOP DRAWING NUMBER	SPECIFICATION PARAGRAPH NUMBER	TYPE OF SUBMITTAL	NAS ACTIVITY CODE	DESCRIPTION OF MATERIAL
1		Para. 3 Page S-1	Form		Review and Complete Eng Form 4288
2		Para. 6 Page S-3	Reports		Daily Quality Control Reports
3		Para. 5 Page S-4	Plan		Environmental Protection Plan
4		Para. 4.1 Page S-9	Manufacturer's Literature		Literature and Installation Instructions for Fencing
5		Para. 4.2 Page S-9	Shop Drawings		Special Swing Sections and Swing Section Posts
6		Para. 4.3 Page S-9	Certificates of Compliance		Certification for Ready-Mixed Concrete
7		Para. 3 Page S-13	Shop Shop Drawing		Warning Sign Layout
8		Page 15 Clause 20	Payrolls		Payrolls and Statement of Compliance
9		Page 20 Clause 29	Plan		Affirmative Action Compliance
10		Page 39 Clause 54	Plan		Accident Prevention and Hazards Protection Plan
11		Page 39 Clause 55	Chart		Construction Progress Schedule

000263

ATTACHMENT C

263

* AE - ARCHITECT ENGINEER ED - ENGINEERING DIVISION CD - CONSTRUCTION DIVISION AREA - AREA/R

BORING LOG

Sheet 1 of 1

Drill Hole No. D-7

Elevation 92.46 TOC
91.96 GL

GWL 0 Hrs. GL + 2" Aft
Installation
Of Casing T
4' 0"

Site LiPari Landfill

Job No. 8077

Site Area Gloucester County, New Jersey

Contractor TAT/REWAI

Driller Bee/Brod

Classified By JMB

Date 6/3/81

24 Hrs. _____

Coordinates N/S

E/W

GL	SPT Blows/ 6 In.				SOIL DESCRIPTION Density (or Consistency), Color Soil Type - Accessories	Construction		REMARKS Chemical Comp., Geologic Data, Groundwater, Construction Prob. e:
	6	12	18	24				
1'	Power Auger				Humus, Dark Brown Organic Marsh Deposit, Very Wet, Soft.	S	S	6" Stickup. Saline Seal And Bentonite Slurry 0-11", Bentonite Bal 11"-12". PVC 10-Slo Screen 24"-36", 3" I
2'					Fine Sand, Dark Brown, Silty, Organic, Very Wet And Soft.			Moire Sand Backfill 12"-42".
3'								
4'								Borehole Completed 3' 6" On June 3, 1981

BORING LOG

Sheet 1 of 1

Project LiPari Landfill Job No. 8077

Drill Hole No. T-4c

Location Gloucester County, New Jersey

Elevation 90.10

Contractor TAT/REWAI Driller Brod/Bee

GWL 0 Hrs. _____

Classified By JMB Date 5/19/81

24 Hrs. _____

Coordinates N/S

E/W

SPT Blows/ 6 In.				SOIL DESCRIPTION Density (or Consistency), Color Soil Type - Accessories	Construction	REMARKS Chemical Comp., Geologic Data, Groundwater, Construction Prob. etc.
6	12	18	24			
				Sandy Silty Clay, Mid-Brown Organic Marsh Deposit 6" (EL. 89.60) Clay, Dark Brown, Cohesive Smearing, With Roots " " Wet Below 24" "		Metals Soil Sample Taken 3"-9", Plastic Cubitainer.
						Hand Auger Hole Completed At 36" (EL. 87.10).

BORING LOG

Sheet 1 of 1

Project : LiPari Landfill Job No. 8077

Drill Hole No. T-7a

Site Area Gloucester County, New Jersey

Elevation 92.78

Contractor TAT/REWAI Driller Brod/Bee

GWL 0 Hrs. _____

Classified By JMB Date 5/20/81

24 Hrs. _____

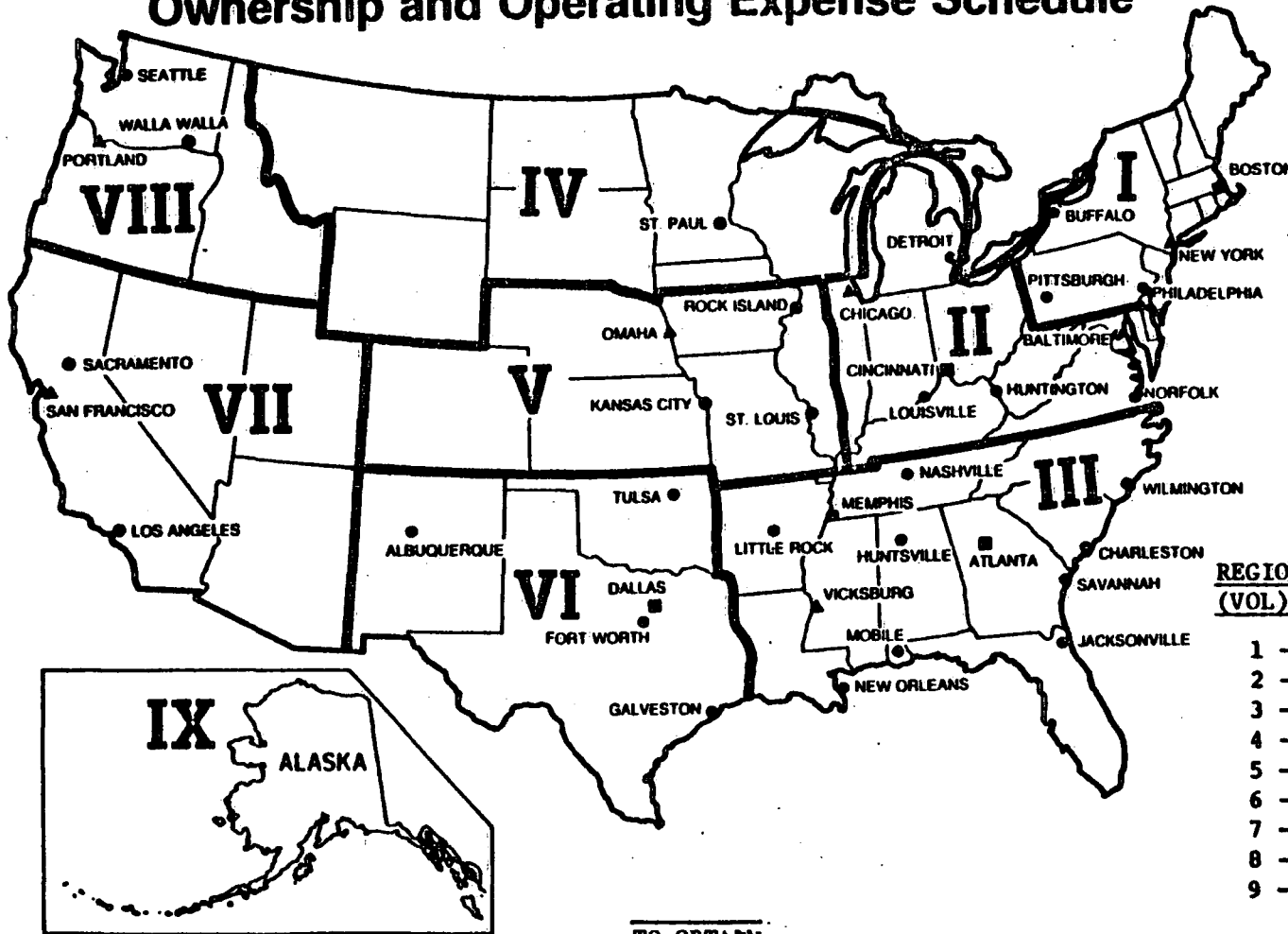
Coordinates N/S _____

E/W _____

SL	SPT Blows/ 6 In.				SOIL DESCRIPTION Density (or Consistency), Color Soil Type - Accessories	Construction	REMARKS Chemical Comp., Geologic Data, Groundwater, Construction Prob. etc.
	6	12	18	24			
1					6" Humus, Organic Marsh Deposit		Standing Water. 2" Above GL.
2					Hand Auger Medium To Coarse Sand, Highly Organic, Very Wet		
3					21" Course To Medium Sand, Light Gray, With Occasional Fine To Medium Gravel (Cohansey)		VOA Vial Soil Sample Taken 27"-30".
4							Hand Auger Hole Completed At 30" (EL. 90.28).

REF: D. WE-BA
 2 SEP 82
 EP1110-1-8

Regions for the Construction Equipment Ownership and Operating Expense Schedule



REGION (VOL)	GPO STOCK NO.
1	008-022-00181-f
2	008-022-00182-
3	008-022-00183-2
4	008-022-00184-1
5	008-022-00185-9
6	008-022-00186-7
7	008-022-00187-5
8	008-022-00188-3
9	008-022-00189-1

TO OBTAIN

A. SPECIFY REGION(VOL) AND GPO STOCK NO.
 B. PRICE PER COPY \$6.00

C. CHECK PAYABLE TO: "SUPERINTENDENT OF DOCUMENTS"
 D. MAIL REQUEST TO: "SUPERINTENDENT OF DOCUMENTS
 WASHINGTON, D.C. 20402
 E. TELEPHONE: 202 - 275-2091

000267

ATTACHMENT E

The work to be performed under
this solicitation is classified
as HEAVY CONSTRUCTION.

SUPERSEDES DECISION

STATE: New Jersey

COUNTIES: Atlantic, Burlington, Camden, Cape May, Cumberland, Gloucester, Mercer, Monmouth, Ocean and Salem

DATE: Date of Publication

DECISION NUMBER: NJ84-3026

Supersedes Decision No. NJ83-3016 dated June 17, 1983, in 48 FR 28003.

DESCRIPTION OF WORK: Building (excluding single family homes and apartments up to and including 4 stories), Heavy and Highway Construction Projects.

	Base Hourly Rate	Fringe Benefits		Base Hourly Rate	Fringe Benefits
AIR CONDITIONING and REFRIGERATION MECHANICS:			DIVERS & DIVER TENDERS:		
Group 1	14.65	1.15*	Sone 1:	20.87	6.83
ASBESTOS WORKERS:			Diver Tenders	16.27	6.83
Sone 1	17.94	4.22	DOCK BUILDERS and		
Sone 2	17.72	4.185	PILEDRIVERS:		
Sone 3	16.09	3.68	Sone 1	14.82	6.18*
Sone 4	17.99	3.68	Sone 2	17.68	6.75
Sone 5	18.75	4.45	DRYWALL TAPERS &		
BOILERMAKERS	18.27	.35*	FINISHERS		
		100	Sone 1	10.60	2.10
BRICKLAYERS, STONEMASONS, MARBLE MASONS, CEMENT MASONS, PLASTERERS, TILE LAYERS, and TERRAZZO WORKERS:			Sone 2	13.03	4.19
Sone 1:	15.15	3.79	ELECTRICIANS and CABLE		
Sone 2:			SPLICERS:		
Bricklayers, Stone masons, Marble Masons and Terrazzo Workers	16.77	3.57	Sone 1	19.66	1.51*
Cement Masons	9.27		Sone 2	19.68	1.00*
Plasterers	13.45	2.08	Sone 3	18.58	1.00*
Sone 3	15.45	3.50	Sone 4	18.41	2.89*
Sone 4	17.93	2.93	Sone 5	18.87	2.38*
Sone 5	16.64	3.98			100
CARPENTERS, MILLWRIGHTS and INSULATORS:			ELEVATOR CONSTRUCTORS:		
Sone 1:	19.31	15.50	Sone 1	14.62	2.47*
Sone 2:			Helpers	10.30	2.47*
Carpenters & Insulators	19.31	15.50	Probationary Helper	7.36	c+d
Millwrights	19.54	15.50			c+d
Sone 3:			GLAZIERS:		
Carpenters & Insulators	18.50	20.50	Sone 1	16.90	6.60
Millwrights	18.75	20.50	Sone 2	7.00	.50
Sone 4:			Sone 3	16.04	3.55
Carpenters, Insulators & Millwrights	16.40	3.60	30" Above ground	16.64	3.55
Sone 5:			Sone 4	9.41	.87
Carpenters & Insulators	17.25	20.50	IRONWORKERS:		
Millwrights	17.75	20.50	Structural, Ornamental, and Reinforcing:		
Sone 6:			Sone 1	15.00	6.00
Carpenters & Insulators	16.70	15.50	Sone 2	14.95	7.20
Millwrights	16.95	15.50	Sone 3	18.40	3.75
			Sone 4	16.20	6.00
			MARBLE FINISHERS:		
			Sone 1	7.84	2.75

DECISION NO. NJ84-3026

PAINTERS:

	Base Hourly Rate	Fringe Benefits
Sone 1:		
New Construction and Major Alterations	13.30	3.13
Repaint-New Construction and Major Alterations	12.30	3.13
Repaint - Spray	12.90	3.13
Exterior over 3 stories and Steel	13.43	3.13
Repaint - Steel	12.45	3.13
Bridges, TV Towers	13.90	3.13
Sone 2:		
Painters on New Construction and Major Alterations	13.80	2.43
Painters on Repaint Work	12.70	2.43
Spraying or application of hazardous or dangerous materials on re-paint work	13.30	2.43
Exterior work exceeding 3 stories in height for painting of open structural steel and tanks under 3 stories in height except Flat Tanks on the ground and on interior work which requires painting higher than 20' above (this shall not be applicable to machinery or equipment located therein)	13.95	2.43
Repaint Work as described above	12.85	2.43
On Bridges, Television and Radio Towers, Structural Steel and Tanks above 3 stories in height (30" or over) Smoke Stacks, Water Towers, Sandblasting, Steamcleaning, Sparying or application of hazardous materials	14.40	2.43
Paperhanging	14.50	2.43
Sone 3:		
Commercial Brush, Roller and Paperhanging	16.30	2.20
Commercial Spray or dipping, or the use of any special material, brushing or rolling on Steel or Tanks, or Working Swing or Chair	17.05	2.20

Page 2

	Base Hourly Rate	Fringe Benefits
Sandblasting or Power Tools; Spraying or the use of any special material on Steel or Tanks	17.60	2.20
Sone 4:		
New Construction: Brush or Roller; Paperhanging and Vinyl-wall covering	15.00	2.25
Working on all Structural Steel and Iron, Steeples, Stacks, Tanks, Flagpoles, all Swing Work & Window Jack Work above 2 stories. Spray Painting & Sandblasting and Line Stripping by machinery, all Power Tools and Hazardous materials (i.e. Creosote, Epoxy, Acid, Pitchmaster and Urethane)	16.00	2.25
Sone 5:		
General Painting Spray, Special material and Blasting	12.90	1.35
Repainting Work except Bridges, Tanks, Tower all other open structural Steel and Power Plants	6.75	1.35
PLUMBERS & PIPEFITTERS:		
Sone 1	18.72	4.55
Sone 2	16.00	2.95
ROOFERS:		
Sone 1:		
Shingle, Slate or Tile MECHANIC II (for Shingle Slate, or Tile) Bundle and transport all materials, tools, and equipment; cleanup	19.57	2.55
Debris Composition	8.25	2.55
Slate and Tile	16.50	3.50
16.625	3.50	
SHIRT METAL WORKERS:		
Sone 1	18.06	4.47
Sone 2	16.40	5.83
Sone 3	17.70	4.90
Sone 4	18.72	4.93
SOFT FLOOR LAYERS:		
Sone 1	18.65	15.20
Sone 2	15.88	160

NR-2

000269

269

30280

Federal Register / Vol. 49, No. 146 / Friday, July 27, 1984 / Notices

DECISION NO. NJ84-1020	Hourly Rate	Fringe Benefits
SPRINKLER FITTERS:		
Zone 1	15.43	2.50
Zone 2	17.67	2.83
TERRAZO FINISHERS:		
Zone 1	7.02	2.75
TILE SETTERS FINISHERS:		
Zone 1	8.45	1.30
Zone 2	7.81	2.75
LABORERS:		
Building Construction:		
Zone 1:		
Group 1	12.00	3.65
Group 2	12.15	3.65
Group 3	12.40	3.65
Zone 2:		
Group 1	12.40	3.22
Group 2	12.50	3.22
Group 3	12.625	3.22
Group 4	12.75	3.22
Zone 3:		
Group 1	12.00	2.85
Group 2	12.05	2.85
Group 4	12.55	3.10
Zone 4:		
Laborers	11.95	3.70
Jackhammers	12.20	3.70
Zone 5:		
Laborers	11.65	4.00
Bolt Carriers and		
Plasterers Tenders	11.75	4.00
Heavy & Highway Construction:		
Zone 1:		
Group 1	12.40	2.45
Group 2	12.60	2.45
Group 3	12.90	2.45
Group 4	13.10	2.45
Group 5	13.35	2.45
Group 6	14.00	2.45
Zone 2:		
Group 1	11.00	2.35
Group 2	12.00	2.35
Group 3	12.30	2.35
Group 4	12.50	2.35
Group 5	12.75	2.35
Group 6	13.00	2.35
FREE AIR TUNNEL JOBS:		
Group 1	13.75	2.35
Group 2	12.85	2.35
Group 3	12.70	2.35
Group 4	12.10	2.35
ASPHALT CONSTRUCTION:		
Streets:		
Road Builders	11.65	2.60
Bakers & Screed Men	11.50	2.60
Tampers, Smoothers,		
Settlers, Pointers,		
Shovelers & Roller Boy	11.25	2.60

Page 3	Hourly Rate	Fringe Benefits
Plant:		
Scale Mixers & Burner Men	11.50	2.60
Feeders and Dust Men	11.25	2.60
LINE CONSTRUCTION:		
(Excluding Railroad Construction):		
Zone 1:		
Linemen, Cable Splicers and Equipment Operators	21.63	2.45*
Groundmen	17.71	2.45*
Zone 2:		
Linemen, Cable Splicers, Truck Drivers, Equipment Operators and Technicians	15.27	.80*
Groundmen and Winch Operators	12.22	.80*
Zone 3:		
Linemen	18.50	1.70*
Groundmen & Winch Operators	16.13	1.70*
Zone 4:		
Linemen	18.41	1.85*
Line Digger Truck Drivers	13.94	1.85*
Groundmen	15.00	1.85*
Zone 5:		
Linemen, Equipment Operators, Technician and Certified Linemen Welder	20.33	2.00*
Truck Drivers	14.64	2.00*
Groundmen	13.65	2.00*
(Railroad ONLY):		
Zone 1:		
Linemen	16.96	.50
Line Equipment Operator	18.20	.50
Groundman Winch Op.	13.07	.50
Groundman	11.06	.50
Dynamite Men	14.20	.50
Street Light Mechanic	12.97	.50
Line Equipment Mechanic	12.90	.50

DECISION NO. NJ84-1020	Hourly Rate	Fringe Benefits
POWER EQUIPMENT OPERATORS:		
Building Construction Projects in which individual items of work are \$100,000 or less (including clearing, and grading, excavation, foundations, back filling, storm and sanitary sewers, sidewalks, street excavation and paving, curbing and landscaping, water and gas supply lines)		
	11.94	6.40**
OTHER BUILDING CONSTRUCTION PROJECTS: HEAVY, HIGHWAY, ROAD, STREET, AND SEWER PROJECTS:		
Class A	21.67	4.00**
Class B	20.00	4.00**
Class C	19.17	4.00**
Class D	18.54	4.00**
Class E	14.83	4.00**
Class F	23.69	4.00**
TANK ERECTION:		
Class A	25.16	4.00**
Class B	23.32	4.00**
Class C	25.30	4.00**
Class D	21.73	4.00**
Class E	16.02	4.00**
GEOSYNTHETIC MAINLINES & TRANSPORTATION PIPELINES:		
Class A	23.30	4.00**
Class B	20.89	4.00**
Class C	18.51	4.00**
Class D	17.61	4.00**
Class E	15.29	4.00**
Class F	24.23	4.00**
WELDERS - Receive rate prescribed for craft performing operation to which welding is incidental.		

Page 4	Hourly Rate	Fringe Benefits
STEEL ERECTION:		
Class A	23.89	4.90**
Class B	22.50	4.00**
Class C	21.24	4.00**
Class D	18.50	4.00**
Class E	17.50	4.00**
Class F	15.69	4.00**
Class G	25.30	4.00**
TRUCK DRIVERS:		
Zone 1:		
Group 1	8.95	1.65**
Group 2	8.83	1.65**
Group 3	8.80	1.65**
Group 4	8.95	1.65**
Zone 2:		
Group 1	12.15	1.65**
Group 2	12.05	1.65**
Group 3	13.00	1.65**
Group 4	13.05	1.65**
Group 5	13.20	1.65**
Group 6	13.40	1.65**
Group 7	13.55	1.65**
Zone 3:		
Group 1	14.97	1.65**
Group 2	15.20	1.65**
Group 3	15.25	1.65**
Group 4	15.35	1.65**
Group 5	15.45	1.65**

UD-2

000270

270

Federal Register / Vol. 49, No. 146 / Friday, July 27, 1984 / Notices

30281

PAID HOLIDAYS:

A-New Year's Day; B-Memorial Day; C-Independence Day; D-Labor Day;
E-Thanksgiving Day; F-Christmas Day

FOOTNOTES:

- c. Paid Holidays: A through F plus Washington's Birthday, Presidential Election Day and Veterans Day, provided the employer works any of the 3 days in the 3-day workweek preceding the holiday and the first work day after the holiday.
- d. Paid Holidays: Washington's Birthday, Good Friday, Memorial Day, Independence Day, Presidential Election Day, Veteran's Day, and Thanksgiving Day.
- e. Paid Holidays: A through F.
- d. Employer contributes 4% of basic hourly rate for 3 years or more of service, or 3% of the basic hourly rate for 6 months to 3 years of service as Vacation Pay Credit.
- e. Paid Holidays: A through F, plus Washington's Birthday, Presidential Election Day and Veteran's Day provided the employee works any of the 3 days in the 3 work days preceding the Holiday and the first work day after the recognized Holiday.
- f. Employer contributes \$6.30 per day per employee to Health and Welfare Funds.
- g. Employer contributes \$4.00 per day per employee to Pension Funds.
- b. One week vacation after one year's work; two weeks vacation after three year's work.
- i. Paid Holidays: A through F, plus Washington's Birthday, Veteran's Day and Presidential Election Day provided the employee works 3 days in the week in which the Holiday falls.
- j. Employer contributes \$48.50 per week per employee to Health and Welfare Funds.
- k. Employer contributes \$55.00 per week per employee to Pension Funds.
1. Employee who has worked or receive pay for 90 days within a year prior to his anniversary date shall receive 36 hours straight time vacation pay; for 3 years but less than 8 years of service he will receive 180 hours of straight time vacation pay; 15 years or more he will receive 165 hours of straight time vacation pay.
- m. Paid Holidays: A through F, plus Washington's Birthday, Presidential Election Day, Armistice Day, 3 Personal Holidays, Good Friday, and Christmas Eve afternoon (provided the employee works that morning) on the condition that the employee works or is available for work on at least 2 days in the week in which the Holiday occurs.
- n. Employees working or receiving pay for 90 days within a year receive one week's paid vacation (40 hours); 135 days receive two weeks' vacation (80 hours); 165 days receive 15 days (120 hours); 15 years seniority and 165 days receive 4 weeks vacation (160 hours).
- o. Paid Holidays: A through F, plus Lincoln's Birthday, Washington's Birthday, Good Friday, General Election Day, Columbia Day and Veteran's Day provided the employee has been assigned to work or "shapes" one day of the calendar week during which the Holiday falls.

GROUP and SOME DESCRIPTIONS:**AIR CONDITIONING and REFRIGERATION MECHANICS:**

Group 1: Installation of refrigeration equipment for any type of building where the combined compressor tonnage does not exceed 3 tons; Installation of water-cooled air-conditioning that does not exceed 10 tons (includes the piping of component system and the erection of the water tower); Installation of air-cooled air conditioning that does not exceed 15 tons.

ASBESTOS WORKERS:

- Sone 1: Atlantic, Burlington (Bass River and Washington Townships); Cape May, Cumberland and Ocean (Eaglewood, Lacy, Little Egg Harbor, Long Beach, Ocean, Stafford, Tuckerton, and Union Townships) Counties
- Sone 2: Burlington (Bordentown, Burlington, Chesterfield, Eastampton, Florence, Mansfield, Mount Holly, New Hanover, North Hanover, Pemberton, Phoebus, Springfield, Wrightstown, and Woodlawn Townships); Mercer, Monmouth (Allentown, Blainsburg, Brielle, Englishtown, Farmingdale, Freehold, Howell, Manalapan, Manasquan, Millstone, Roosevelt, Sea Girt, South Belmar, Spring Lake Heights, Upper Freehold, Wall, and West Belmar Townships) and Ocean (Remainder of County) Counties
- Sone 3: Monmouth (Remainder of County)
- Sone 4: Salem County
- Sone 5: Burlington (Remainder of County); Camden and Gloucester Counties

BRICKLAYERS, STONEMASONS, MARBLE MASONS, CEMENT MASONS, PLASTERERS,**TILE LAYERS, and TERRAZZO WORKERS:**

- Sone 1: Atlantic and Cape May Counties
- Sone 2: Camden, Gloucester, and Salem Counties
- Sone 3: Cumberland County
- Sone 4: Burlington and Mercer Counties
- Sone 5: Monmouth and Ocean Counties

CARPENTERS, MILLWRIGHTS and INSULATORS:

- Sone 1: Atlantic, Camden, Cape May, Cumberland, Gloucester and Salem Counties
- Sone 2: Burlington County (except the City of Bordentown)
- Sone 3: Mercer County (beginning from the present Post Office in Lawrenceville to a point southward through the present "Radio Site" to the junction of Rosedale Road and Road's Mill Road to the junction of Pennington and Mount Rose Road to the Somerset County Line; again starting at the present Post Office in Lawrenceville and eastward to the junction of Brunswick Pike and Delaware and Beritan Canal Bridge taking the center of the road to Clarksville then south on Providence Line Road to the Pennsylvania Railroad then east on Dutch Neck North to Grover's Mills to the Middlesex County Line
- Sone 4: Burlington County (City of Bordentown only) and Remainder of Mercer County
- Sone 5: Ocean County
- Sone 6: Monmouth County

DIVER and DIVER TENDERS:

- Sone 1: Atlantic, Burlington, Camden, Cape May, Cumberland, Gloucester, Mercer, Monmouth, Ocean and Salem Counties

WR-4

000271

271

GROUP and ZONE DESCRIPTIONS (Cont'd)

DOCKBUILDERS and PILEDRIEVERS:

- Zone 1: Atlantic, Burlington, Camden, Cape May, Cumberland, Gloucester, Mercer (Trenton Area), Ocean and Salem Counties
- Zone 2: Mercer (Princeton Area) and Monmouth Counties

DRYWALL TAPERS and FINISHERS:

- Zone 1: Atlantic, Burlington, Cape May, Cumberland, Mercer, Monmouth and Ocean Counties
- Zone 2: Camden, Gloucester and Salem Counties

ELECTRICIANS and CABLE SPLICERS:

- Zone 1: Monmouth and Ocean Counties
- Zone 2: Burlington (that portion north of a line following the west and south limits of Burlington Borough from the Delaware River in a southeasterly direction to the Burlington - Mt. Holly Road, south-southeast along this road to and including the Town of Mt. Holly, east along the Pennsylvania Railroad to and including New Lisbon and continuing along the Pennsylvania Railroad to the Ocean County Line) and Mercer Counties
- Zone 3: Burlington (Edgewater Park, Delanco, Deiran, Cinnamonson, Moorestown, Mount Laurel, Willingsboro, Hainesport, Lumberton, Medford, Fresham Townships in the County and that portion of Shamong, Tabernacle, Woodland Townships north of the Central Railroad of New Jersey Line and that portion of Burlington, Westhampton, Eastampton, South Hampton and Pemberton Townships in the County south of a line starting at the Delaware River and following the southern boundary of Burlington Borough to the Burlington, Mount Holly Road, along this road to Mount Holly around but excluding Mount Holly to the Pennsylvania Railroad along the Pennsylvania Line through, but excluding Pemberton, through but excluding New Lisbon to the Ocean County Line), Camden, Gloucester (Washington, Deptford, West Deptford, Greenwich, East Greenwich, Manata, Harrison, South Harrison, Woolwich and Logan Townships and Pitman Borough) and Salem (from Lower Penns Neck, Upper Penns Neck, Oldmans Townships and that portion of Mannington and Pittsgrove Townships north of a line following State Highway 945 northeast from Fenwick Creek to the Borough of Woodstown, around and including Woodstown to U. S. Highway 140 and east on 140 to Upper Pittsgrove Townships Line) Counties
- Zone 4: Atlantic (that portion south and west of a line following the White Horse Pike (U. S. Highway 130) in a southeasterly direction from Camden County to the Nays Landing-DuCosta Road, continuing south along that road to the Great Egg Harbour River near Baymouth along that river to the Harding Highway to the Nays Landing - Tuckahoe Road, south on that road to the north limits of Corbin City to the Tuckahoe River), Cumberland, Gloucester (remainder of County) and Salem (Remainder of County) Counties
- Zone 5: Atlantic (Remainder of County), Burlington (Remainder of County) and Cape May Counties

MR-5

000272

272

GROUP and ZONE DESCRIPTIONS (Cont'd)

GLAZIERS:

- Zone 1: Monmouth and Ocean and Mercer Counties
- Zone 2: Atlantic and Cape May Counties
- Zone 3: Camden, Gloucester and Salem Counties
- Zone 4: Burlington (that portion north of a line that begins at Florence-Roebling and that extends in a southeasterly direction that includes Fort Dix to the Ocean County Line) County

IRONWORKERS:

- Zone 1: Monmouth and Ocean (northern half of County) Counties
- Zone 2: Atlantic, Cape May, Cumberland (that portion east of a line drawn from the Delaware Bay through the Town of Cederville and upwards to the point where the County Lines of Gloucester, Cumberland and Atlantic meet) and Ocean (Remainder of County) Counties
- Zone 3: Burlington (southern portion of County up to but not including Lumberton and Chatsworth Townships), Camden, Cumberland (Remainder of County), Gloucester and Salem Counties
- Zone 4: Burlington (Remainder of County) and Mercer Counties

MARBLE FINISHERS:

- Zone 1: Camden, Gloucester, and Salem Counties

PAINTERS:

- Zone 1: Monmouth and Ocean (except Townships of Ocean, Union, Stafford, Saglewood and Little Egg Harbor) Counties
- Zone 2: Mercer County
- Zone 3: Burlington, Camden, Gloucester and Salem (the portion of County north of Salem Bridges) Counties
- Zone 4: Atlantic, Cape May and Ocean (Remainder of County) Counties
- Zone 5: Cumberland and Salem (Remainder of County) Counties

PLUMBERS and PIPEFITTERS:

- Zone 1: Atlantic, Burlington (that portion of the County including Atalon, Deep River Township, Botsto, Chatsworth, Green Bank, Reema, Jenkins, New Grana, Quaker Bridge, Wading River, Washington and Woodland Township), Cape May, Cumberland, Gloucester, Ocean (southern half of the County to and including Whiting, Bomber, Maratona and Barnegat Light) and Salem (that portion of the County including Aldino, Alliance, Alloway, Brotanville, Canton, Centerton, Priesburg, Hancock's Bridge, Lower Alloways Creek Township, Moore's Corner, Horner, Oakwood Beach, Olivet, Pen (Beach), Pittsgrove Township, Quinton and Shirley), Burlington (that portion of the County starting on the west by the Delaware River, on the north by a line following the center of High Street to the Pennsylvania Railroad running from Camden to Mount Holly, Birmingham, Seaside Park and Shore Points on the Jersey Coast and along afore-said Railroad to the Town of Whiting; thence diagonally across Burlington County to the junction of Burlington, Camden and Atlantic Counties), Camden, and Salem Counties
- Zone 2: Burlington (Remainder of County), Mercer (excluding Hopewell and Hopewell Township), Monmouth, and Ocean (Remainder of County) Cos.

Federal Register / Vol. 49, No. 149 / Friday, July 27, 1984 / Notices

30283

GROUP and SOME DESCRIPTIONS (Cont'd)

COOPERS:

- Zone 1: Atlantic, Cape May, Cumberland, Burlington, Camden, Gloucester, Salem, Mercer, Monmouth (Remainder of County) and Ocean (Remainder of County) Counties
 Zone 2: Monmouth (the entire County except the southwest corner which includes Perrineville and the towns west thereof) and Ocean (from the County Line southward to Cassville, Lakshurst, Whitings, Wheatland and Cedar Bridge inclusive) Counties

BEST METAL WORKERS:

- Zone 1: Atlantic, Cape May and Cumberland Counties
 Zone 2: Monmouth and Ocean Counties
 Zone 3: Burlington and Mercer Counties
 Zone 4: Camden, Gloucester and Salem Counties

SOFT FLOOR LAYERS:

- Zone 1: Atlantic, Camden, Cape May, Cumberland, Gloucester, and Salem Counties
 Zone 2: Burlington, Mercer, Monmouth and Ocean Counties

SPRINKLER FITTERS:

- Zone 1: Camden, Gloucester, Mercer (Town of Trenton) and Salem (Penna Grove excluding Penna Grove Airport) Counties
 Zone 2: Atlantic, Burlington, Cape May, Cumberland, Mercer (Remainder of County), Monmouth, Ocean and Salem (Remainder of County) Counties

TERRAZZO FINISHERS:

- Zone 1: Camden, Gloucester, and Salem Counties

TILE SETTERS FINISHERS:

- Zone 1: Atlantic and Monmouth Counties
 Zone 2: Camden, Gloucester, and Salem Counties

SOME and GROUP DESCRIPTIONS (Cont'd)

**LABORERS
BUILDING CONSTRUCTION**

- Zone 1: Atlantic, Burlington (Townships of Washington and Bass River), Cape May, Cumberland (Townships of Fairfield, Millville, Maurice River, Lawrence, Downs and Commercial) and Ocean (that portion of the County up to and including Lacy Township) Counties:

- Group 1: Laborers, Mason' and Plasterers' Tenders, and Concrete Workers
 Group 2: Tool Operators (except small hand tools) including operation of motorized buggies
 Group 3: Gunnite Men and Gun Hozzle Operators for Gunnite and Asbestos Sandblasting

- Zone 2: Burlington (Townships of Edgewater Park, Delance, Willingsboro, West Hampton, East Hampton, Pemberton, Delran, Cinnaminson, Norrestown, Mt. Laurel, Hainesport, Lumberton, South Hampton, Evesham, Medford, Shamong, Tabernacle and Woodland), Camden, Gloucester and Salem and Cumberland (Remainder of County) Counties:

- Group 1: Construction Laborers, Plasterers and Lathers Tenders, Brick Tenders, Mortar Tenders, Scaffold Builders (brick), Rod Carriers (brick)
 Group 2: Power Tool Operators
 Group 3: Motorized Buggy Operators, Burners, Messmen (Gunnite Work)
 Group 4: Jackhammer Operators, Barfo Tapper Operators and Concrete Vibrator Operators (over 27 lbs.)

- Zone 3: Mercer (Townships of Princetown, Lawrence, West Windsor, and Borough of Princeton) County:

- Group 1: Laborers
 Group 2: Rod Carriers, Mason Tenders, Operators of Jackhammers, Tappers and Electric Hammers

- Zone 4: Monmouth (Townships of Matsuan, Union Beach, Hariton, Reensburg, Highlands, Holmdel, Middletown, Fair Haven, Red Bank, Mattava Borough and Marlboro) Counties:

- Zone 5: Mercer (Townships of Washington, Hightown and East Windsor), Monmouth (Remainder of County), and Ocean (Remainder of County) Cos.
 Zone 6: Burlington (Remainder of County) and Mercer (Remainder of County) Counties

SOME and GROUP DESCRIPTIONS (Cont'd)

LABORERS (Cont'd)

HEAVY and HIGHWAY CONSTRUCTION

Zone 1: Atlantic, Burlington, Camden, Cape May, Cumberland, Gloucester, Mercer, Ocean and Salem Counties;
 Zone 2: Monmouth County;

- Group 1: Common Laborers, Landscape Laborers, Railroad Track Laborers, Traffic Directors, Salamander Tender, Pitmen, Dumpmen, Waterproofing Laborers, Bakers and Tamers on Cold Patch Work, and Wrapping and Coating of all Pipes
 Group 2: Powder Carrier, Magazine Tender, Wagon Drill Operator Helpers, Drill Master Helper, and Signalmen
 Group 3: Sewer Pipe, Laser Man, Conduit and Duct Line Layer, Power Tool Operator, Jack Hammer, Chipping Hammer, Pavement Breaker, Power Buggy, Cutter, Concrete Cutter, Asphalt Cutter, Sheet Hammer and Tree Cutter Operators, Sandblasting Cutting, Burning and such other power tools used to perform work usually done manually by Laborers
 Group 4: Wagon Drill Operator, Timberman and Drill Master
 Group 5: Finisher, Form Setter, Hammer, Paver, Gunite Bossman and Stonecutter
 Group 6: Blaster

FREE AIR TUNNEL JOBS

Group 1: Blasterers

Group 2: Skilled Men (including Miners, Drill Burners, Iron Men, Maintenance Men, Conveyor Men, Safety Miners, Riggers, Block Layers, Cement Finishers, Rod Men, Caulkers, Powder Carriers, All other Skilled Men)

Group 3: Semi-skilled Men (including Miner's Helpers, Chuck Tenders, Track Men, Rippers, Strakeson, Barrell Men, Cable Men, Rose Men, Grouse Men, Gravel Men, Form Men, Bell or Signal Men (top or bottom), Form Makers and Movers, Concrete Workers, Shaft Men, Tunnel Laborers, Caulkers' Helpers, all other Semi-skilled)

Group 4: All others (including Powder Watchmen, Change House Attendants, Top Laborers)

SOME DESCRIPTIONS (Cont'd)

LINE CONSTRUCTION:

- Zone 1: Monmouth and Ocean Counties
 Zone 2: Burlington (that portion north of a line following the west and south limits of Burlington Borough from the Delaware River in a southeasterly direction to the Burlington - Mt. Holly Road, south-southeast along this road to and including the Town of Mt. Holly, east along the Pennsylvania Railroad to and including New Lisbon and continuing along the Pennsylvania Railroad to the Ocean County Line) and Mercer Counties
 Zone 3: Burlington (Edgewater Park, Delanco, Delran, Cinnaminson, Moorestown, Mount Laurel, Willingsboro, Hainesport, Lumberton, Medford, Evesham Townships in the County and that portion of Shamong, Tabernacle, Woodland Townships north of the Central Railroad of New Jersey Line and that portion of Burlington, Westhampton, Easthampton, South Hampton and Peaberton Townships in the County south of a line starting at the Delaware River and following the southern boundary of Burlington Borough to the Burlington - Mount Holly Road, along this road to Mount Holly around but excluding Mount Holly to the Pennsylvania Railroad along the Pennsylvania Line through, but excluding Peaberton, through but excluding New Lisbon to the Ocean County Line), Camden, Gloucester (Washington, Deptford, West Deptford, Greenwich, East Greenwich, Manata, Harrison, South Harrison, Woolwich and Logan Townships and Pitman Borough) and Salem (from Lower Penns Neck, Upper Penns Neck, Oldmans Townships and that portion of Mannington and Pilesgrove Townships north of a line following State Highway 865 northeast from Fenwick Creek to the Borough of Woodstown, around and including Woodstown to U. S. Highway 840 and east on 840 to Upper Pittsgrove Townships Line) Counties
 Zone 4: Atlantic (that portion south and west of a line following the White Horse Pike (U. S. Highway 810) in a southeasterly direction from Camden County to the Mays Landing-DeCoste Road, continuing south along that road to the Great Egg Harbour River near Maysouth along that river to the Harding Highway to the Mays Landing - Tuckahoe Road, south on that road to the north limits of Corbin City to the Tuckahoe River), Cumberland, Gloucester (Remainder of County) and Salem (Remainder of County) Counties
 Zone 5: Atlantic (Remainder of County), Burlington (Remainder of County) and Cape May Counties

LINE CONSTRUCTION - Railroad ONLY:

Zone 1: Burlington, Camden, Cape May, Cumberland, Gloucester, Monmouth, Ocean and Salem Counties

DECISION NO. NJR4-7020

POWER EQUIPMENT OPERATORS

Class 1: Autograde - Combination Subgrader; Base Metal Spreader and 7 Base Trimmer (CM) and similar types); Autograde Paver, Trimmer, Spreader Combination (CM) and similar types); Autograde Slipform Paver (CM) and similar types); Backhoe; Central Power Plants (all types); Concrete Paving Machines; Cranes (all types, including Overhead and Straddle Travelling type); Cranes; Gantry; Derrick (Land or Floating); Drillmaster, Quarrymaster (down the Hole Drill); Rotary Drill; Self Propelled Hydraulic Drill; Self-powered Drill; Dragline; Elevator Graders; Front End Loaders (3 yds. and over); Gradalls; Grader; Raygo; Locomotive (large); Mucking Machines; Pavement and Concrete Breaker, i.e., Superhammer and Hoe ram; Pile Driver; Length of Boom including Length of Leads, shall determine premium rate applicable; Roadway Surface Grinders; Scooper (Loader and Shovel); Shovels; Tree Chopper with Boom; Trench Machines

Class 2: "A" Frame; Backhoe (combination); Boom Attachment on Loaders (rate based on size of Bucket) not applicable to Pipelock, Boring and Drilling Machines; Brush Choppers; Shredder and Tree Shredder; Tree shearer; Cablesaws; Carryalls; Concrete Pump; Concrete Pumping System, Pumpcrete and similar types; Conveyors, 125 ft. and over; Drill Doctor including Dust Collector, Maintenance); Front End Loaders (2 yds. but less than 3 yds.); Graders (Finisher); Groove Cutting Machine (ride on type); Header Planer; Hoists (all types hoists, shall also include Steam, Gas, Diesel, Electric, Air Hydraulic, Single end Double Drum, Concrete Brick Shaft Collision, Snorhal Roof, and/or any other similar type Hoisting Machines, portable or stationary, except Chicago Boom type); Hoists (Chicago Boom type); Hydraulic Cranes, 10 tons and under; Hydro-asis; Jacks Screw Air Hydraulic power operated unit or Console type (not Hand Jack or Pile Load Test type); Log Skidder; Pans; Pavers (all Concrete; Pumpcrete Machines; Sewerconcrete and Concrete Pumping (regardless of size); Scrapers; Side Booms; Straddle Carrier; Hoes and similar types; Winch Truck (hoisting)

Class 3: Asphalt Curbing Machine; Asphalt Plant Engineer; Asphalt Spreader; Autograde Tube Finisher and Texturing Machine (CM) and similar types); Autograde Curconcrete Machine (CM) and similar types); Autograde Curb Trimmer and Sidewalk; Shoulder; Slipform (CM) and similar types); Bar Bending Machines (power); Batchers; Batching Plant and Crusher on Site; Belt Conveyor Systems; Boom type Shimmer Machines; Bridge Deck Finisher; Bulldozers (all); Car Dumpers (rail-road); Compressor and Blower type units (used independently or mounted on Dual Purpose Trucks, on job site or in conjunction with job site, in loading and unloading of Concrete, Cement, Fly Ash, Instantcrete, or similar type materials); Compressor (2 or 3) (Battery); Concrete Finishing Machines; Concrete Saws and Cutters (ride on type); Concrete Spreaders; Hovel; Resomatic and similar types; Concrete Vibrators; Conveyors; under 125 ft.; Crushing Machines; Ditching Machine; Small (Ditchwitch or similar type); Dope Pots (Mechanical with or without Pump); Dumpsters; Elevator; Fireman; Fork Lifts (Economic); Lull and similar types of

DECISION NO. NJR4-7020

equipment); Front End Loaders (1 yd. and over but less than 3 yds.); Generators (2 or 3) in Battery; Giraffe Graders; Graders and Motor Patrols; Gunnite Machines (excluding Mosaic); Hammer Vibratory (in conjunction with Generator); Hoist (Roof, Tugger, Aerial Platform Hoist and House Cars); Hoppers; Hopper Doors (power operated); Ladders (motorized); Ladderator; Locomotive; Dinky type; Maintenance; Utility Man; Mechanico; Mixers (except Paving Mixers); Motor Patrols and Graders; Pavement Breakers, small; Self-propelled Side on type (also maintaining Compressor or Hydraulic unit); Pavement Breaker; Truck mounted; Pipe Bending Machine (power); Pitch Pump; Plaster Pump (regardless of size); Post Hole Digger (Post Pounder and Auger); Rod Bending Machine (power); Roller; Black Top; Scales; Power; Seaman Pulverizing Mixer; Shoulder Widener; Silo; Shimmer Machines (boom type); Steel Cutting Machine; Service and Maintenance; Tractors; Tug Captain; Vibrating Plants (used in conjunction with unloading); Welder and Repair Mechanic

Class 4: Brooms and Sweepers, Chippers, Compressor (single), Concrete Spreaders (small type), Conveyor Loaders (not including Elevator Graders), Engines, Large Diesel (1420 H.P.) and Steeping Pump, Farm Tractors; Fertilizing Equipment (operation and maintenance) Fine Grade Machine (small type); Form Line Graders (small type); Front Loader (under 1 yd.); Generator (single); Grease, Gas, Fuel and Oil Supply Trucks; Hesters (Helson or other type including Propane, Natural Gas or Flow-type units); Lights; Portable Generating Light Plants; Mixers; Concrete small; Mulching Equipment (operation and maintenance) Pumps (6 inch suction and over including submersible pumps); Pumps (Diesel engine and Hydraulic) immaterial of power Road Finishing Machines (small type); Rollers; Grader; Fill or Stone Base; Seeding Equipment (operation and maintenance off); Sprinkler and Water Pump Trucks Steam Jennies and Boilers, Stone Spreader; Tamping Machines Vibrating Side-on; Temporary Heating Plant (Helson or other type, including Propane, Natural Gas or Flow type units); Water and Sprinkler Trucks; Welding Machines (gas, diesel, and/or electric Converters of any type, single; two or three in a Battery); Welding System, Multiple (Rectifier Transformer type); Wellpoint Systems.

Class 5: Oiler

Class 6: Helicopter Pilot

Olliostatic Mainlines and Transportation Pipe Lines

Class 7: Backhoe; Cranes (all types); Draglines; Front-end Loaders (3 yds. and over); Gradalls; Scooper (Loader and Shovel); Hoisting and Trench Machines

Class 8: "A" Frame; Backhoe (combination Hoe Loader); Boring and Drilling Machines; Ditching Machine, small; Ditchwitch or similar type; Fork Lifts; Front End Loaders (2 yds. and over but less than 3 yds.); Graders, (Finish (line); Hydraulic Cranes, 10 tons and under (over 10 tons - Crane rate applies); Side Booms; and Winch Trucks (hoisting)

30288

Federal Register / Vol. 49, No. 146 / Friday, July 27, 1984 / Notices

WR-8

000275

275

Class C: Backfiller; Brooms and Sweepers; Bulldozers; Compressors (2 or 3 in battery); Front-end Loaders (under 7 yds.); Generators; Giraffe Grinders; Graders and Motor Patrols; Mechanics; Pipe Bending Machine (power); Tractors; Water and Sprinkler Trucks; Welder and Repair Mechanic;

Class D: Compressor (single); Dope Pots (Mechanical with or without pump); Dust Collectors; Farm Tractors; Pumps (4 in. suction and over); Pumps (2 or less than 4 in. suction); Pumps; Diesel Engine and Hydraulic (material or power); Welding Machines; Gas or Electric Converters of any type, single; Welding Machines, gas or electric converters of any type, 2 or 3 in Battery multiple Welders; Wellpoint Systems (including installation and maintenance)

Class E: Oiler, Grease, gas, fuel and Supply Trucks and Tire Repair and Maintenance

Class F: Helicopter- Pilot

TANK ERECTION

Class A: Operating engineers--on all Cranes, Derricks, etc. with Booms including Jib 140 ft. or more above the ground.

Class B: Operating Engineers--on all Equipment, including Cranes Derricks, etc. with Booms including Jib, less than 140 ft. above the ground.

Class C: Helicopters--Pilot.

Class D: Air Compressors, Welding Machines and Generators (Gas, Diesel, or Electrical driven equipment and sources of power from a permanent plant, i.e., Steam, Compressed Air, Hydraulic or other power, for the operating of any machine or automatic tools used in the Erection, Alteration, Repair and dismantling of tanks and any and all "dual purpose" Trucks used on the construction job site.

Class E: Oiler.

STEEL ERECTION

Class A: Cranes - (all Cranes, Land or Floating with Booms including Job 140 Ft. and over, above ground); Derricks (all Derricks, Land or Floating with Booms including Jib 140 ft. and over, above ground).

Class B: Cranes - (all cranes, Land or Floating with Booms including Jib less than 140 ft. above ground); Derricks (all Derricks, Land or Floating with Booms including Jib, less than 140 ft. above ground)

Class C: "A" Frame; Cherry pickers 10 tons and under; Hoists: all types Hoists shall also include Steam, Gas, Diesel, Electric, Air Hydraulic, Single and Double Drum; Concrete, Brick Shaft Caisson, or any other similar type Hoisting Machines, Portable or Stationary, except Chicago Boom type; Jacks-Screw Air Hydraulic Power operated unit Console type (not Hand Jack or Pile Load Test) Side Booms.

Class D: Aerial platform used Hoists; Compressor, 2 or 3 in Battery; Elevators or House Cars; Conveyors and Tugger Hoists; Fireman; Portlifts; Generators, 2 or 3 maintenance-utility man; Rod Bending Machine (power); Welding Machines--(Gas or Electric, 2 or 3 in Battery, including Diesel); Captain Power Boats; Tug Master Power Boats.

Class E: Compressor, single; Welding Machine, Single, Gas, Electric Converters of any type, Diesel; Welding System Multiple (rectifier Transformer type); Generator, Single.

Class F: Straddle Carrier.

Class G: Helicopter Pilot

TRUCK DRIVERS

Zone 1: Atlantic and Cape May Counties

- Group 1: Warehousemen and Helpers
- Group 2: Teamsters and Chauffeurs
- Group 3: Drivers on Tractors, Trailers, 10 wheel Flats and Dumps
- Group 4: Drivers on Euclids, 10 wheel Tractors and Tractor Trailer Trucks, Low Beds and Pole Trailers

Zone 2: Burlington (that portion west of the Jersey Turnpike to the Delaware River), Camden, Cumberland, Gloucester and Salem Counties.

- Group 1: Ten wheel Dump Truck Driver and Trailer Dump Driver off site
- Group 2: Straight Truck Driver (helper)
- Group 3: Warehousemen, Fork Lift Truck and Parts Men
- Group 4: Straight Truck Driver including all "Dual Purpose" Trucks, (straight), Transit Mix Trucks, Fuel Trucks, Seeding Trucks, Fertilizing Trucks, Dumpcrete Trucks, Mulching Trucks, "A" Frame (when transporting material), Water Sprinkler Trucks, Tanks, Straight Trucks with mechanical tailgates, Asphalt Distributor Trucks, Batch Trucks and similar type of equipment and Mechanics (Helper), Pick-up Trucks (only when transporting material), and Flat Bed Trucks
- Group 5: All Truck Towing
- Group 6: Winch Straight Tractor and Trailer Truck Driver and Euclid Trailer Dump (not self-loading), Fuel Truck Drivers and Asphalt Oil Distributors on Dumpcrete Trucks, Transit-Miners, Flat Bed Trucks, Low Bed Trucks, Tanks, Water Tanks, Fuel Tanks, Euclid Water Sprinkler, Asphalt Distributor, Pole Trailer, Winch Trailer, I Beam Trucks, Euclids (all), and type equipment
- Group 7: Mechanics

TRUCK DRIVERS (Cont'd)

Zone 3: Burlington (Remainder of County), Mercer, Monmouth and Ocean Counties:

- Group 1: Mechanic Helper
- Group 2: Drivers on the following type vehicles: Straight Dumps, Flats, Floats, Pick-ups, Container haulers, Fuel, Water Sprinkler, road Oil, Stringer, Seed, Hot Pass, Bus, Dumpcrete, Transit Miners, Agitator Miner, Half Truck, Winch Truck, Side-o-matic, Dynamite, Power, X-ray, Welding, Shid, Jeep, Station Wagon, Stringer, A-Frame, all Dual Purpose Trucks, Truck with mechanical tailgate, Asphalt Distributor, Batch Trucks, Seeding, Mulching, Fertilizer, Air Compressor Trucks (in transit), Parts Chaser, Escort, Scissor, Hi-lift, Telescope, Concrete Breaker, Gin Pole, Stone, Sand, Asphalt Distributor and Spreader, Hopper, Fuel Trucks (Drivers on Fuel Trucks, including handling of unit), Shid Truck (Debris Container - entire unit), Concrete Mobile Trucks (entire unit), Excavator (parts chaser), Beltcrete Trucks, Dumpcrete Trucks, Line Truck, Reel Truck, Weathers, Utility Trucks, Tank Trucks, Warehousemen, Warehouse Partemen, Yardmen, Lift Truck in Warehouse, Helper when required on Lift Truck in Warehouse, Warehouse Clerk, Parts Man, Material Chockers, Receivers, Shoppers, Binning Men (material Carden Man); Helper when required on Broyhill Coal Tar Epoxy Truck and Asphalt and Bituminous Distributor Trucks; Drivers on the following type vehicles: Broyhill Coal Tar Epoxy Trucks, Little-Ford Bituminous Distributor, Slurry Seal Truck or Vehicle, Thimble Trackmaster Pick-up (Swamp Cat Pick-up), Bucket Loader Dump Truck and any Rubber Tired Tractor used in pulling and towing farm wagons and trailers of any description, similar type vehicles; Off-site and On-site Repair Shop, Team Drivers, Vacuum or Vac-all Trucks (entire unit)
- Group 3: Drivers on straight 2-axle materials; Truck and Floats
- Group 4: Drivers on all Euclid-type Vehicle: Euclids, International Harvesters, Mabcos, Caterpillar, Boehring, Tractors, and Wagons, Dumpsters, Straight, Bottom, Rear and Side Dumps, Careyalls and Scrapers (not self-loading - loading over the top), Water Sprinkler, Trailers, Water Pulls and similar types of Vehicles; Drivers on Tractors and Trailer type Vehicles: Flat, Floats, I-beam, Low Beds, Water Sprinkler, Bituminous Transit Mix, Road Oil, Fuel Bottom, Dump Hopper, Rear Dump, Office Shanty, Epoxy, Asphalt, Agitator Miner, Mulching, Stringer, Seeding, Fertilizing Pole Spread, Bituminous Distributor, Water Pulls (entire unit)(tractor Trailer), Reel Trailer and similar types of vehicles

Unlisted classifications needed for work not included within the scope of the classifications listed may be added after award only as provided in the labor standards contract clause (29 CFR, 5.3 (a)(1)(ii))

For Date: See Union Filed 7-26-84, 8-4-84 and
 BILLING CODE 4810-37-2

MR-10

000277

277

Federal Register / Vol. 49, No. 156 / Friday, August 10, 1984 / Notices

	Base Monthly Rate	Primo Benefits		Base Monthly Rate	Primo Benefits
DECISION NO. NJ84-3020 - (COR. 1)					
145 PA 30200 - July 27, 1984					
Atlantic, Burlington, Camden, Cape May, Cumberland, Gloucester, Mercer, Monmouth, Ocean and Salem Counties, New Jersey					
CHANGE:					
ASBESTOS WORKERS:					
Zone 1	10.61	4.92			
BRICKLAYERS, CEMENT MASONS, STONE MASONS, MARBLE MASONS PLASTERERS, TILE LAYERS AND TERRAZZO WORKERS:					
Zone 1	16.66	3.79			
DIVERS & DIVER TENDERS:					
Zone 1					
Divers	20.07	6.83			
Diver Tenders	16.27	6.83			
IRONWORKERS:					
Zone 1	18.35	4.30			
Zone 2	16.70	8.75			
ROOFERS:					
Zone 1:					
Shingle, Slate or Tile	19.57	2.93			
MECHANIC II (for Shingle Slate, or Tile)					
Handle and transport all materials, tools, and equipment; cleanup debris	8.25	2.93			
POWER EQUIPMENT OPERATORS:					
Building Construction Projects in which individual items of work are \$200,000 or less (including clearing, and grading, excavation, for foundations, back filling, storm and sanitary sewers, sidewalks, street excavation and paving, curbing and landscaping, water and gas supply lines)					
OTHER BUILDING CONSTRUCTION PROJECTS: HEAVY, HIGHWAY, ROAD, STREET, AND SEWER PROJECTS:					
Class A	21.92	5.00+a			
Class B	20.33	5.00+a			
Class C	18.42	5.00+a			
Class D	16.79	5.00+a			
Class E	15.08	5.00+a			
Class F	23.74	5.00+a			
TANK ERECTION:					
Class A	23.91	5.00+a			
Class B	23.57	5.00+a			
Class C	25.55	5.00+a			
Class D	21.48	5.00+a			
Class E	16.27	5.00+a			
DIASATAYIC MAINLINES & TRANSPORTATION PIPELINES:					
Class A	22.55	5.00+a			
Class B	20.90	5.00+a			
Class C	18.76	5.00+a			
Class D	17.26	5.00+a			
Class E	15.54	5.00+a			
Class F	24.48	5.00+a			
STEEL ERECTION:					
Class A	23.74	5.00+a			
Class B	22.03	5.00+a			
Class C	21.49	5.00+a			
Class D	18.03	5.00+a			
Class E	17.30	5.00+a			
Class F	15.54	5.00+a			
Class G	25.55	5.00+a			

Federal Register / Vol. 49, No. 175 / Friday, September 7, 1984

	Base Monthly Rate	Primo Benefits
DECISION NO. NJ84-3020 - (COR. 2)		
145 PA 30200 - July 27, 1984		
Atlantic, Burlington, Camden, Cape May, Cumberland, Gloucester, Mercer, Monmouth, Ocean and Salem Counties, New Jersey		
CHANGE:		
Carpenters, Millwrights and Insulators:		
Zone 1:		
Millwrights	619.54	15.50
Zone 4:		
Carpenters, Insulator and Millwrights	16.97	5.20
Zone 3:		
Carpenters & Insulators	18.50	20.50
Millwrights	19.00	20.50
Dock Builders and Piledrivermen:		
Zone 1	18.97	6.71
Ironworkers:		
Zone 2	19.43	4.20
DECISION NO. NJ84-3020 - (COR. 3)		
Ironworkers (Cont'd)		
Zone 1	510.35	4.30
Power Equipment Operators:		
Tank Erection:		
Class A	24.41	5.00+a
Soft Floor Layers:		
Zone 2	16.77	160
Some Descriptions:		
Carpenters:		
Zone 1:		
Burlington County		
Zone 4:		
Remainder of Mercer County		

MR-11

000278

278

	State Hourly Rate	Fringe Benefits
DECISION NO. NJ84-1020 - '00. 11		
(45 FR 30280 - July 27, 1984)		
Atlantic, Burlington, Camden, Cape May, Cumber- land, Gloucester, Mercer, Monmouth, Ocean and Salem Counties, New Jersey		
CHANGE:		
ROOFERS:		
Zone 2:		
Composition	16.50	3.50
Slate & Tile	16.675	3.50
SPONDERS:		
Zone 2	19.43	7.70
Zone Descriptions:		
Carpenters, Millwrights and Insulators:		
Zone 1:		
Burlington County		
Zone 4:		
Remainder of Mercer County		

	State Hourly Rate	Fringe Benefits
DECISION NO. NJ84-1020 - '00. 11		
(45 FR 30280 - July 27, 1984)		
Atlantic, Burlington, Camden, Cape May, Cumber- land, Gloucester, Mercer, Monmouth, Ocean and Salem Counties, New Jersey		
OMIT:		
ROOFERS:		
Zone 1:		
All rates and classifi- cations		
ADD:		
ROOFERS:		
ZONE 1:		
Shingle, slate and tile Mechanic II for shingle, slate or tile work - handles and transports all materials, tools and equipment; clean-up debris	13.92	2.25
All other work Mechanic II for all other work - handles and transports all materials, tools and equipment; clean-up debris	6.25	2.25
	19.57	2.93 <p>p</p>
	8.25	2.93 <p>p</p>
FOOTNOTE:		
p. Paid Holiday: Election Day.		

WR-12

000279